

QST BSM E8 C

QUEST Tap Range Quest Bath Shower Mixer Eco8 Chrome



Features:

- Supplied with metal handles
- Chrome plated to BS EN 248
- Supplied with single function handset with rub clean nozzles, 1.5m hose & wall bracket
- Product supplied with an 8 litre per minute flow regulator which can be fitted to the shower hose outlet to reduce water consumption and increase water efficiency

Product Certifications:



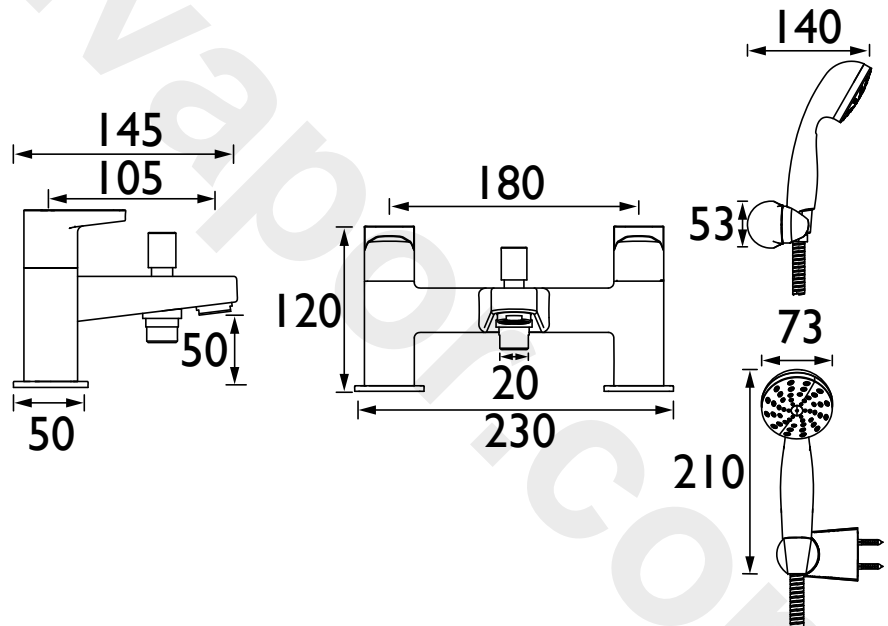
For more products, visit our website:
<http://www.bristan.com>



Specification

Product Type:	Bathroom Taps
Main Construction Material:	Brass
Mount Type:	Deck Mounted
Handle Type:	Lever Handles
Connection Inlet:	3/4" BSP
Connection Outlet:	G 1/2"
Number of Tap Holes:	2
Valve/Cartridge Type:	1/4 Turn 3/4" Ceramic Disc Valve
Plumbing System Requirements:	Suitable for all plumbing systems
Minimum Dynamic Pressure (bar):	0.3 bar
Maximum Dynamic Pressure (bar):	5.0 bar
Maximum Hot Water Temperature °C:	65°C
Maximum Static Pressure (bar):	10 bar
Flow Type:	Single Flow
Isolation Included:	No

Dimensions (measurements in mm)



Flow Rates (l/min)

System Pressure (bar)	0.3	0.5	1	2	3	5
Through Bath Filler (mixed)	6.3	24.6	34.8	49.2	60.2	77.7
Through Handset (mixed)	8	8	8	8	8	8

TECHNICAL DATA SHEET



BRISTAN

D2